



EXPLORER

HIKING BACKPACKS.



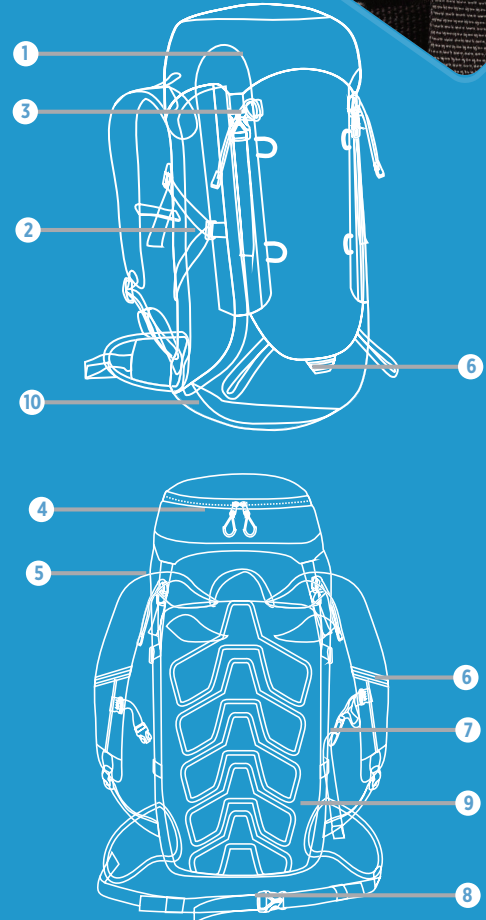
RIBSTOP LARGE HIKING BACKPACK 40L PVC FREE

P760.141



- LARGE MAIN COMPARTMENT
- LIGHTWEIGHT MATERIAL
- INCLUDING INTEGRATED RAINCOVER
- VERSATILE POCKETS

XDCOLLECTION



1. Main compartment with drawstring closure
2. Trekking pole attachment for ice axe or hiking poles
3. Side and front compression straps to secure sleeping bag or tent
4. Top compartment for easily accessible items such as keys or cards
5. Drinking tube opening
6. Reflective strap on the front and back of the backpack
7. Adjustable chest webbing and survival whistle
8. Adjustable padded hip belt
9. Ergonomic carrying system with comfortable mesh padding
10. Integrated removable rain cover for your backpack

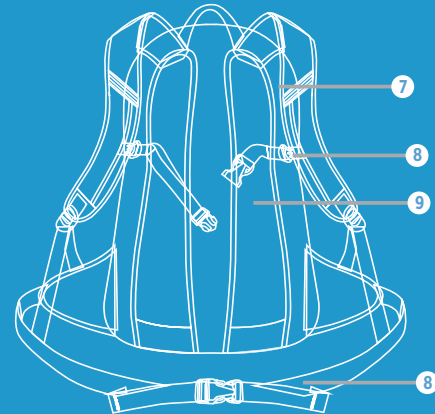
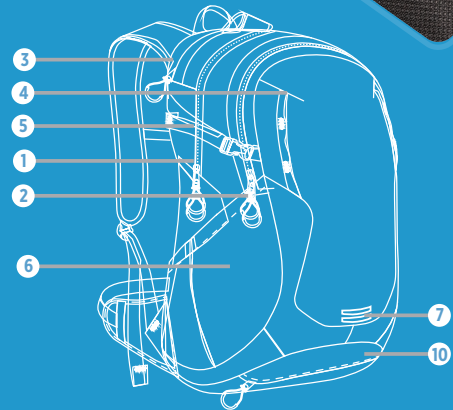


RIBSTOP MEDIUM HIKING BACKPACK 26L

PVC FREE

P760.151

XDCOLLECTION



- LIGHTWEIGHT MATERIAL
- PVC FREE
- INCLUDING INTEGRATED RAINCOVER
- VERSATILE POCKETS

1. Main zipper compartment with laptop compartment 15.6 inch fit
2. Front inner pocket
3. Top Small Zipper pocket for items like Keys or Cards etc.
4. Webbing loops on both sides for hanging items like a small umbrella or cap
5. Compression Straps for attaching hiking poles etc.
6. 2 Extended water bottle pockets
7. Reflective strap back and front side
8. Adjustable sternum strap & hip belt
9. Padded and breathable mesh back panel offer cushioned comfort
10. Integrated removable rain cover



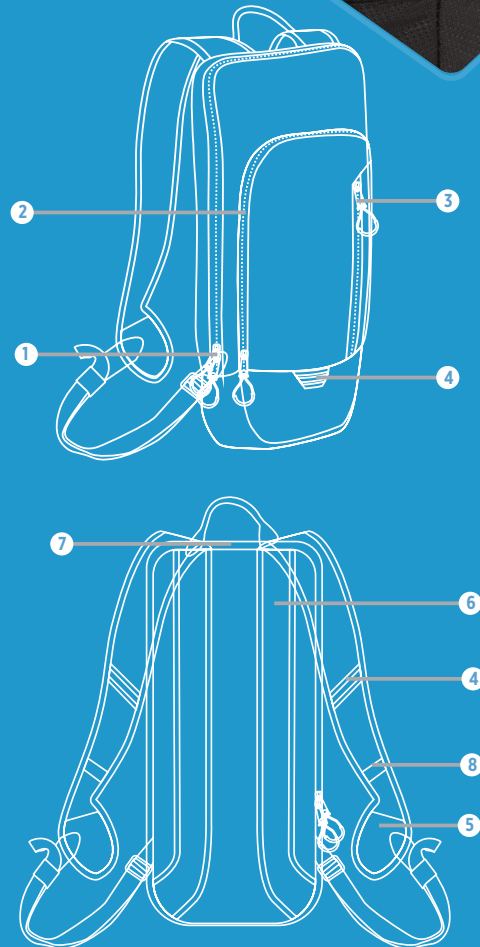
RIBSTOP SMALL HIKING BACKPACK 7L

PVC FREE

P760.161



XDCOLLECTION



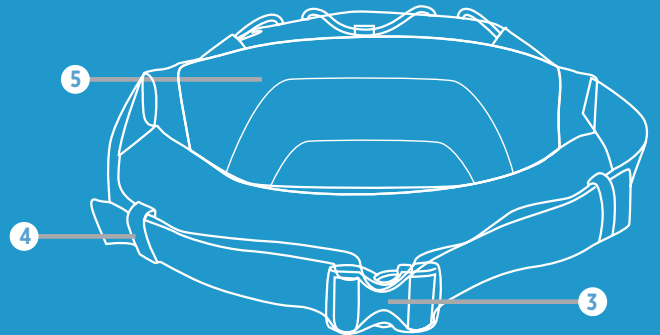
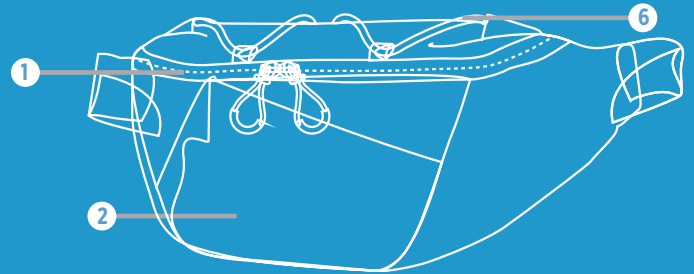
- LIGHTWEIGHT MATERIAL
- PVC FREE
- VERSATILE POCKETS

1. Main compartment with inner pocket for outdoor drinking bag with tube
2. Middle pocket with 2 small inner pocket for small items: key, cards etc.
3. Small front pocket is convenient for extra storage such as an smartphone
4. Reflective strap on the back and front of the backpack
5. The straps are adjustable with their parachute-style Velcro bindings.
6. Ergonomic design on the back for maximum breathability and comfort
7. Opening for drinking tube
8. Elastic strap to hang items like sunglasses on



RIBSTOP LARGE FANNY PACK PVC FREE

P730.031



- LIGHTWEIGHT MATERIAL
- PVC FREE

1. Main compartment with inner pocket
2. Front mesh pocket
3. Adjustable straps
4. Elastics strap fittings
5. Comfortable mesh padding
6. Elastic bungee system for external use



LARGE ADVENTURE TROLLEY

P750.005



MEDIUM ADVENTURE TROLLEY

P750.015



- FOR 3-5 DAYS TRAVELLING
- VERSATILE POCKETS



XDCOLLECTION